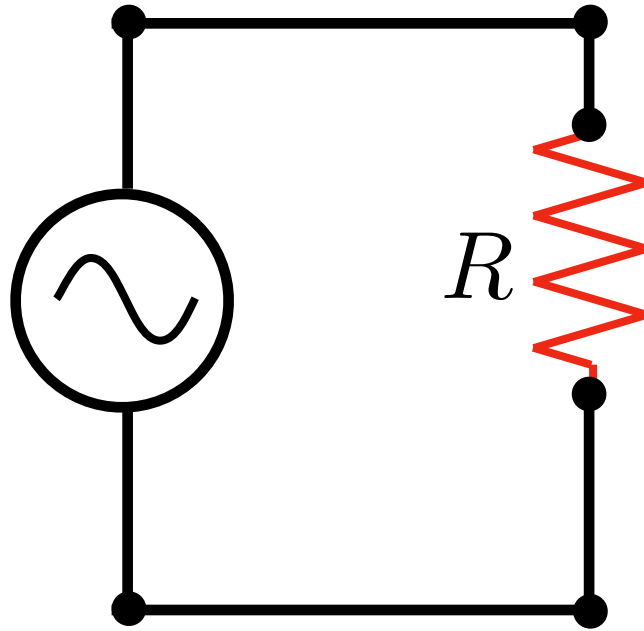
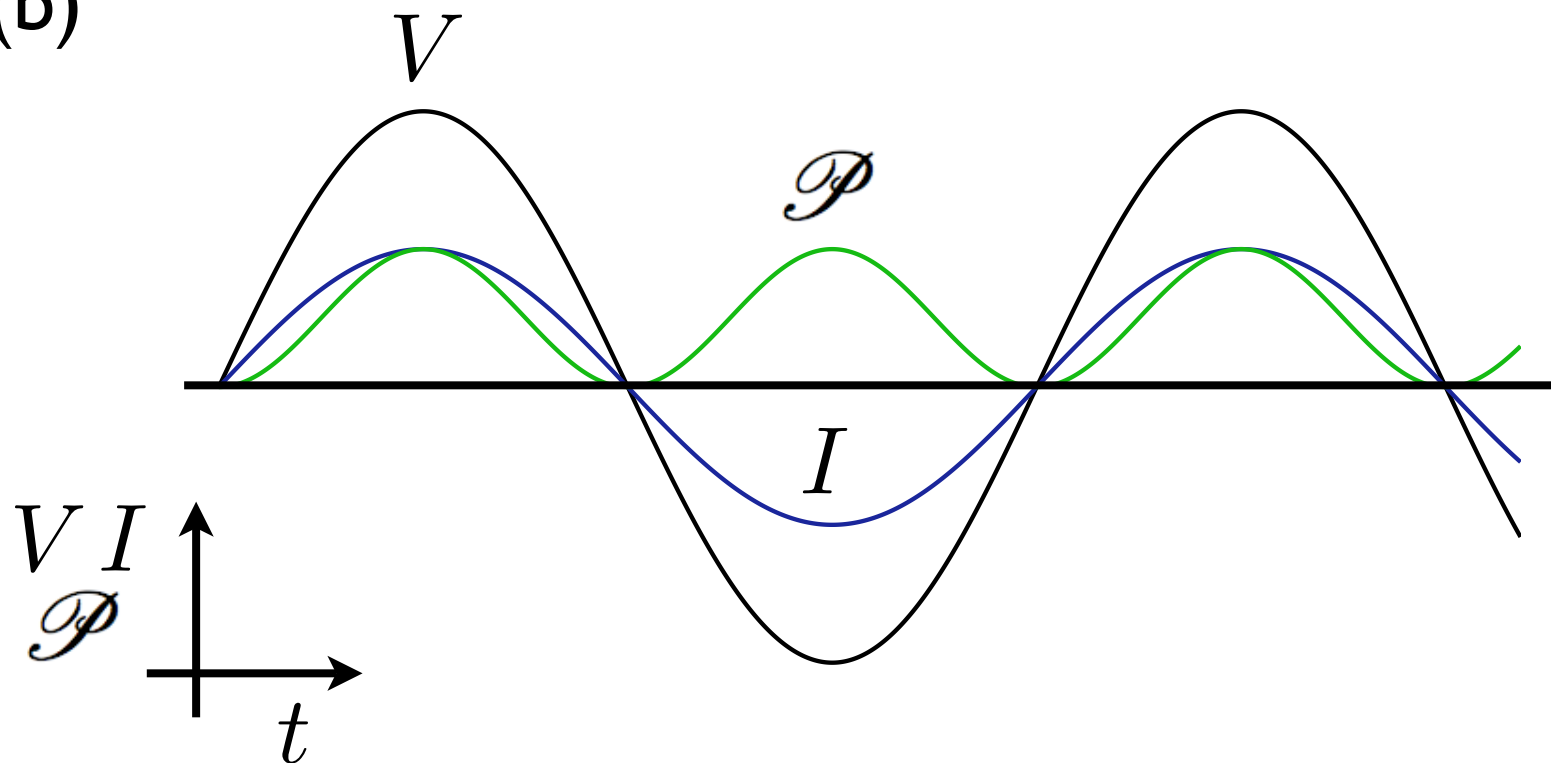


(a)

$$V \propto V_0 \sin \omega t$$

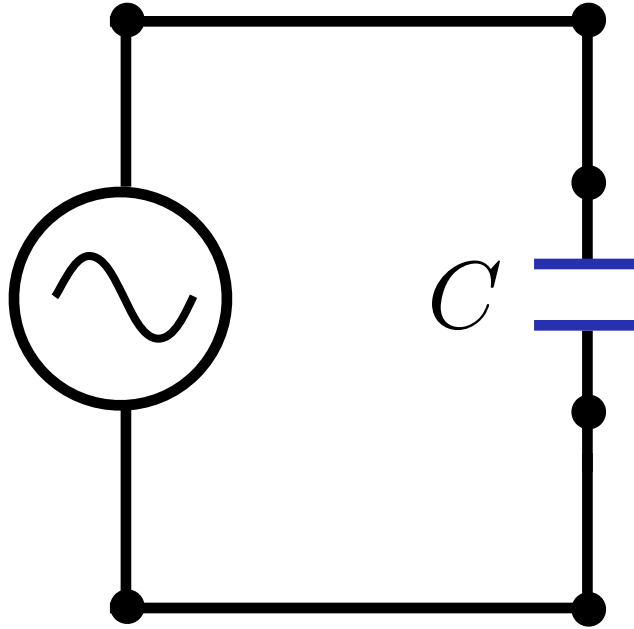


(b)

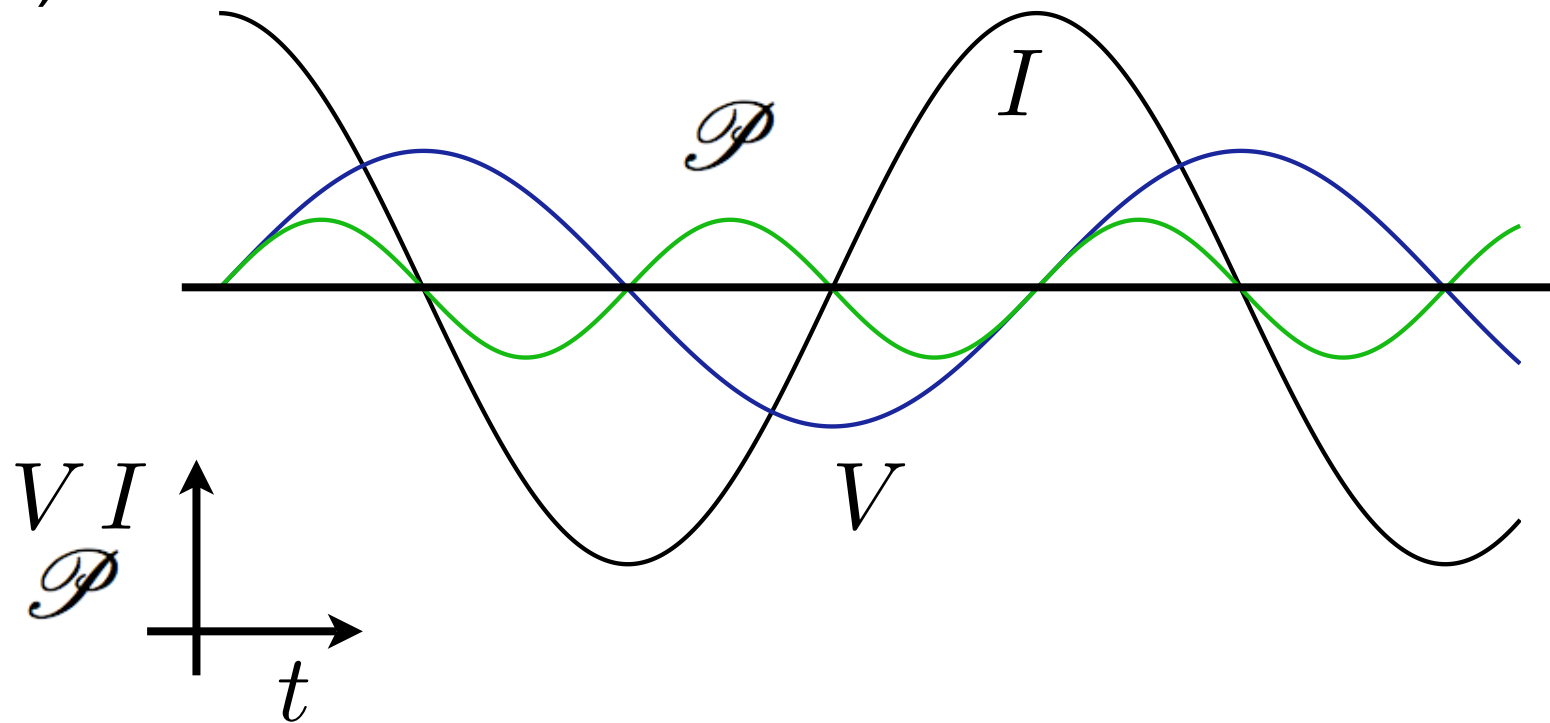


(a)

$$V \propto V_0 \sin \omega t$$

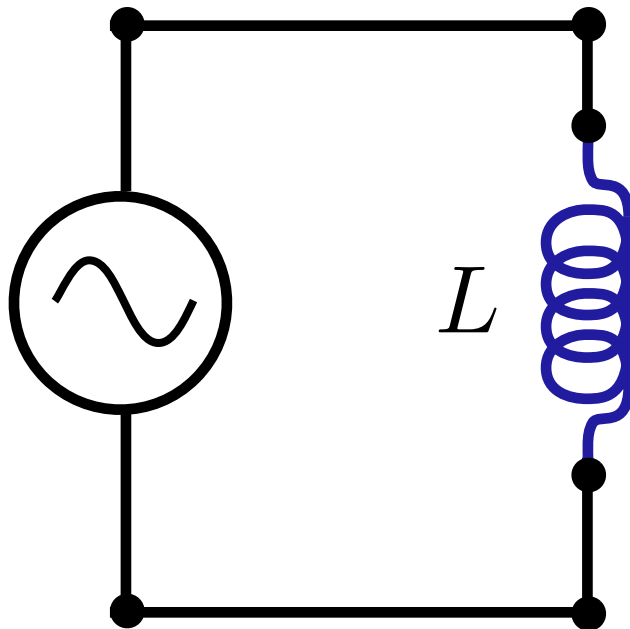


(b)

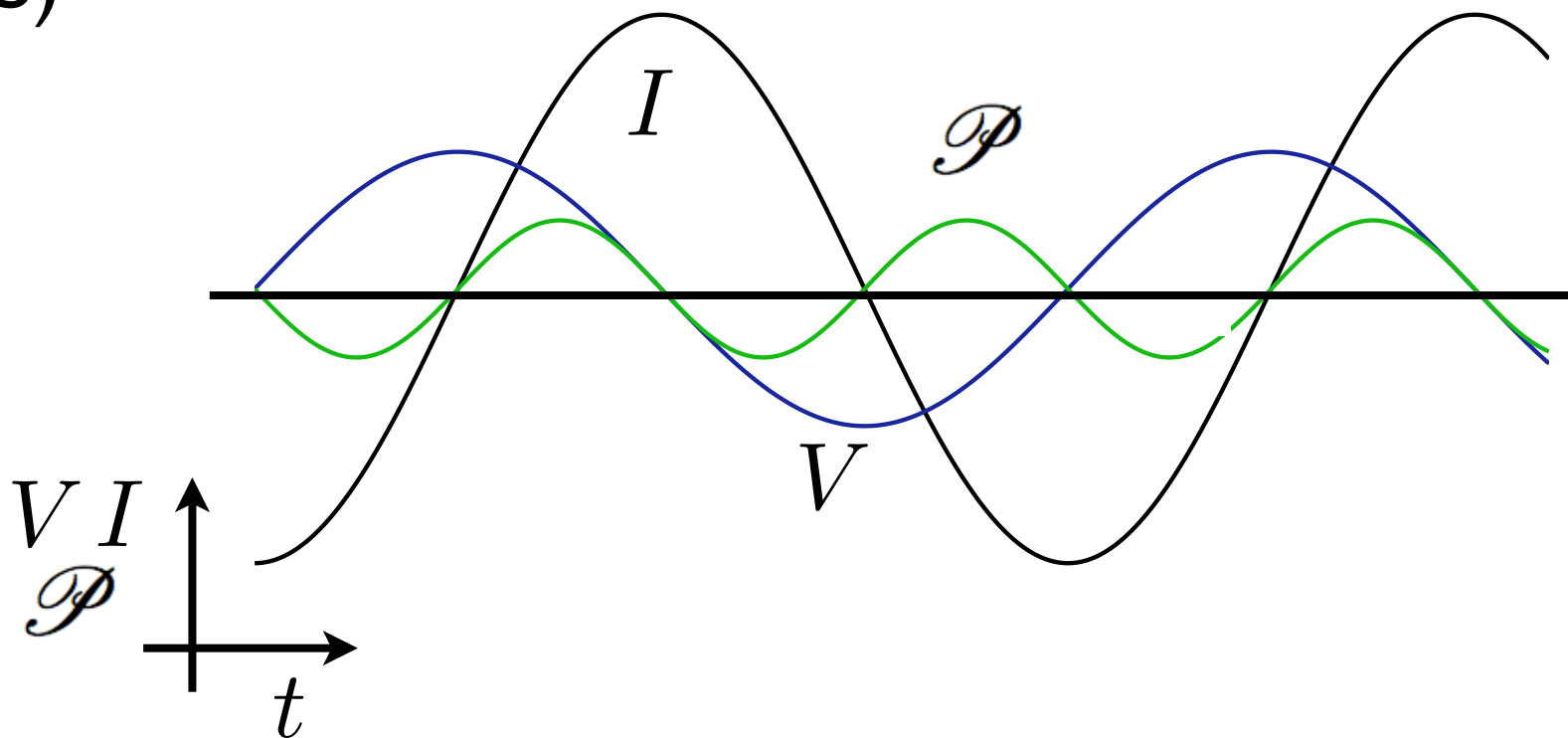


(a)

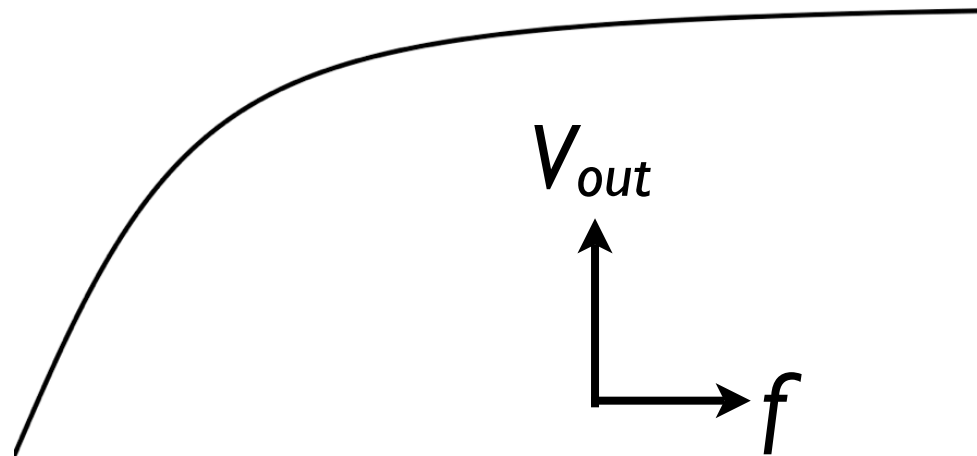
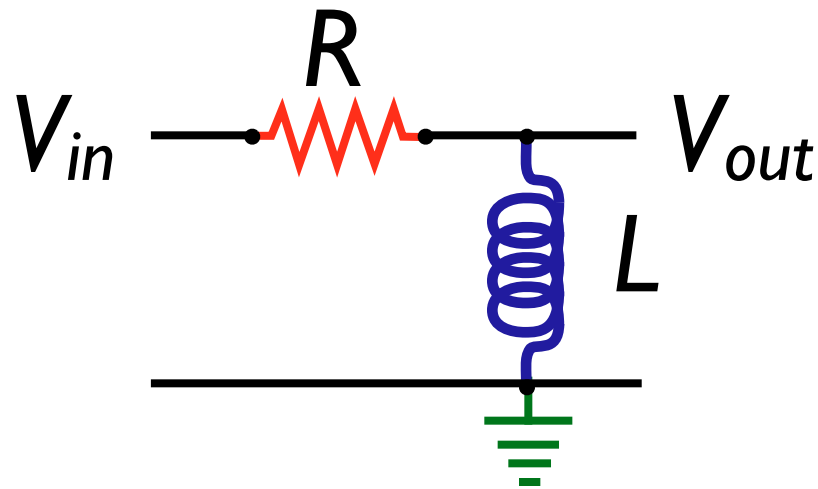
$$V \propto V_0 \sin \omega t$$



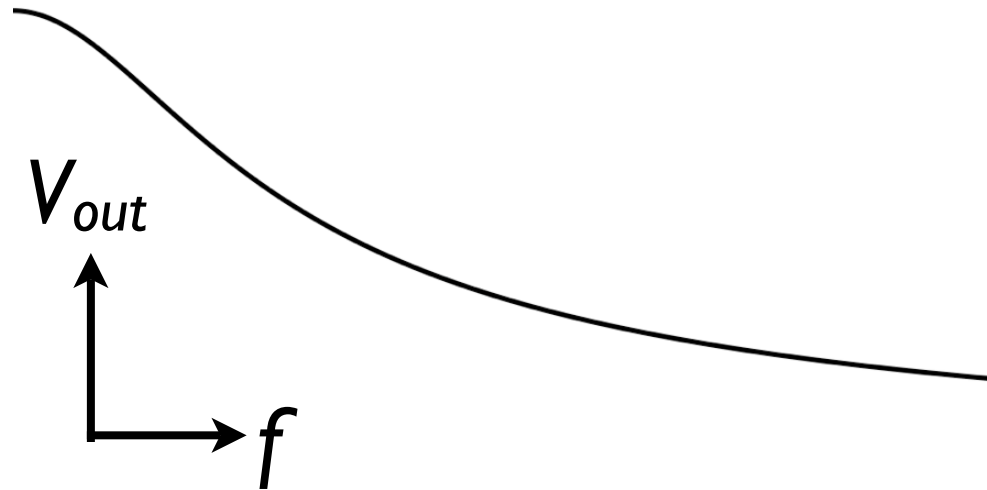
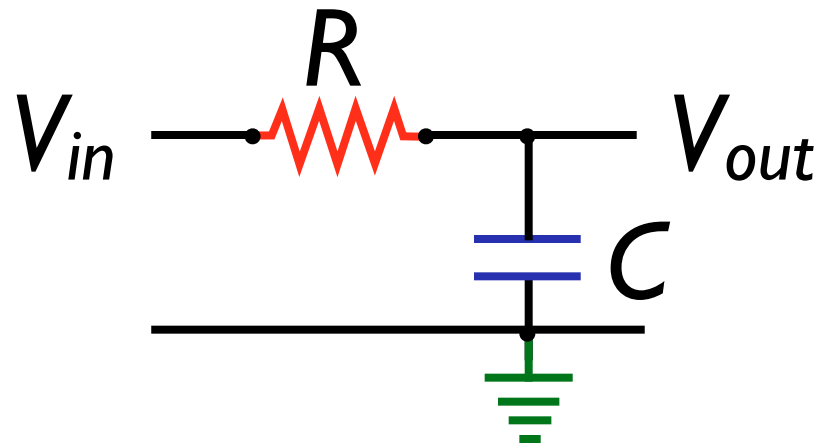
(b)

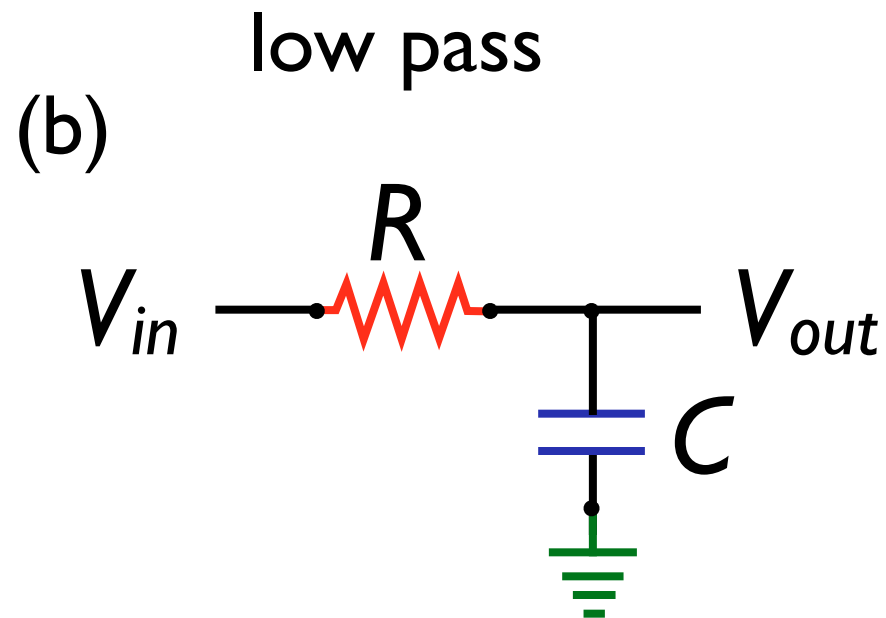
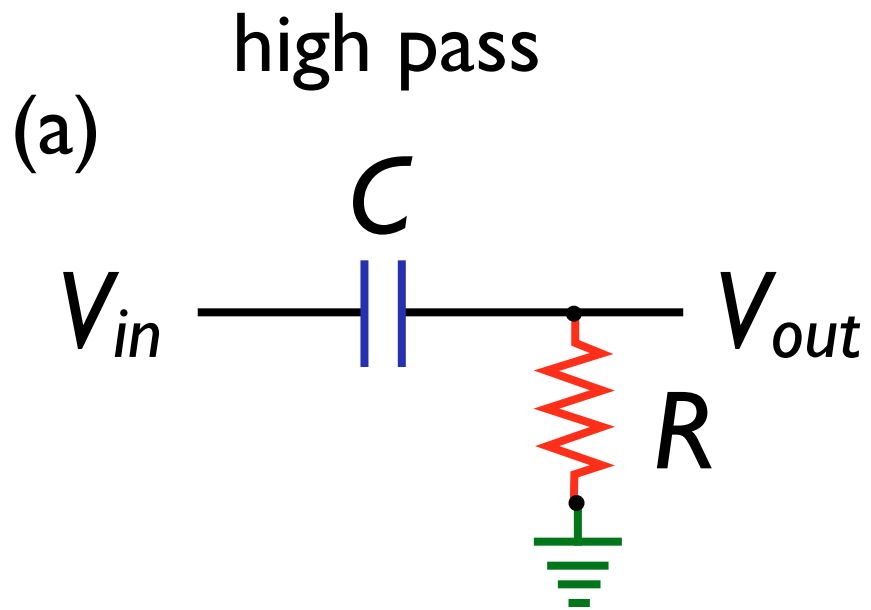


high-pass

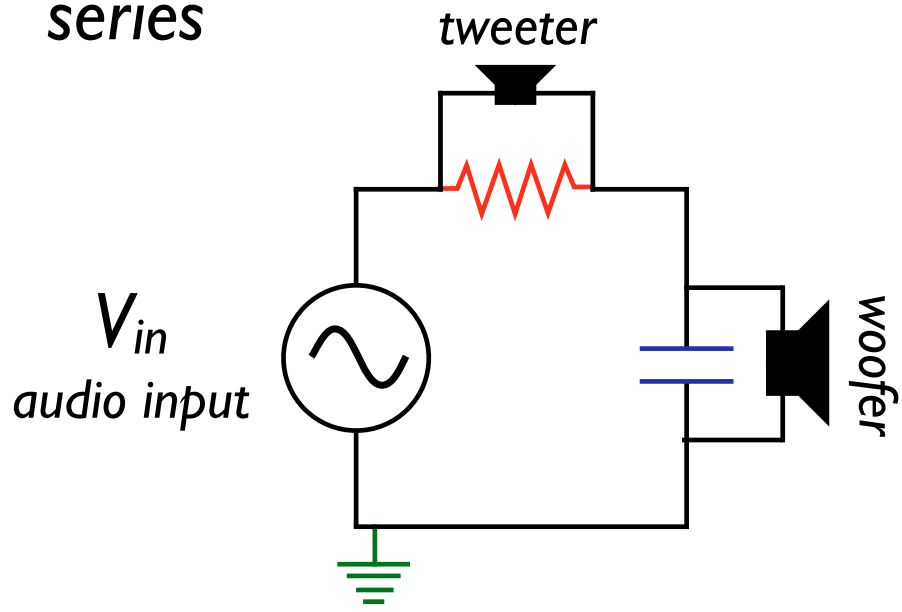


low-pass

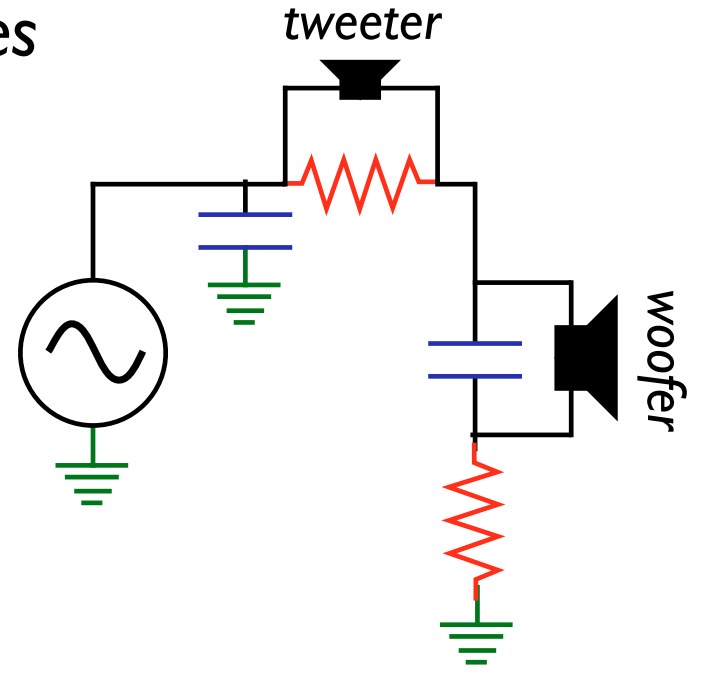




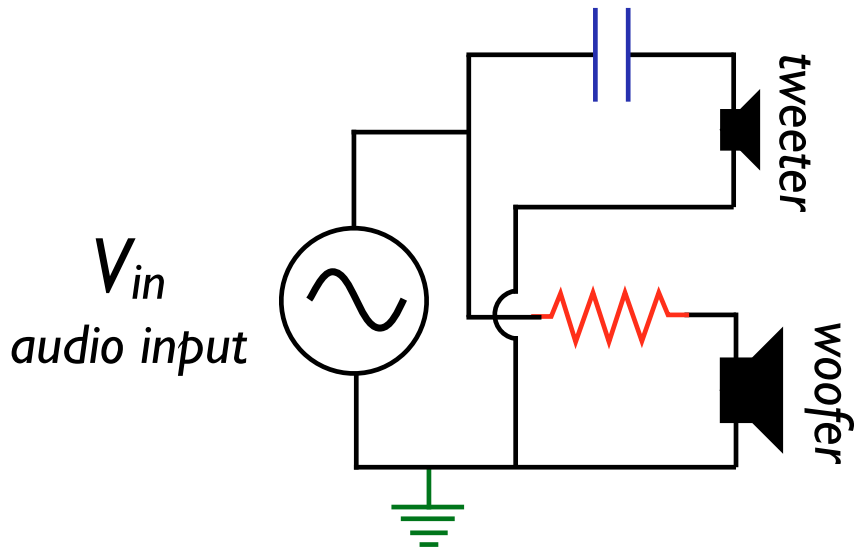
series



series



parallel



parallel

