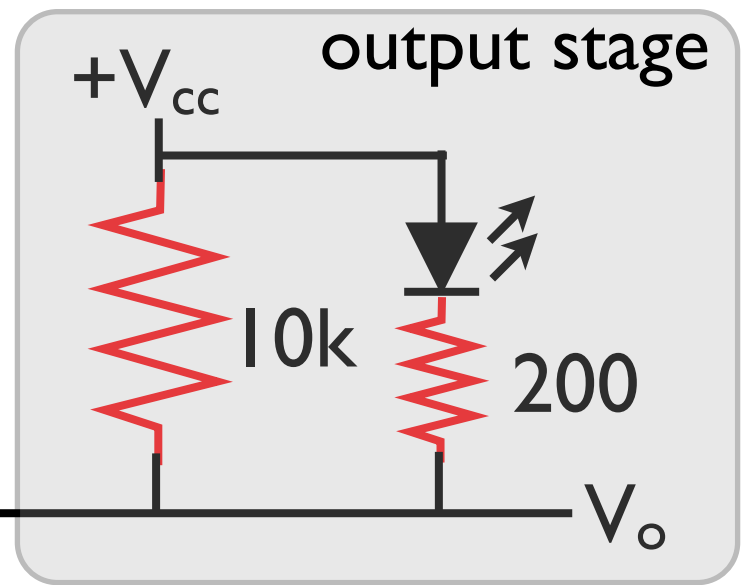


pick  $RC \sim 0.1 - 2$  sec  
 $R, R' \sim 10k - 100k$   
 $C \sim \mu F$   
 $V_{cc} = 5V$



## LED flasher

