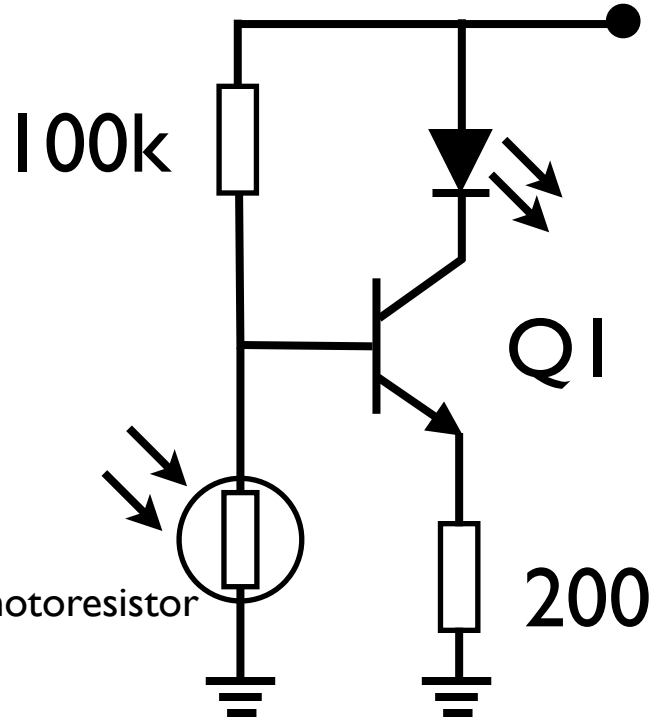
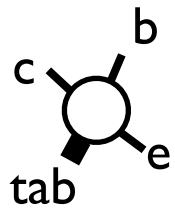


$+V_{in}=3.3$

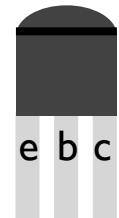


Q1 = 2N2222 or 2N3904

2N2222
top view



2N3904
front view



$+V_{in}=3.3$

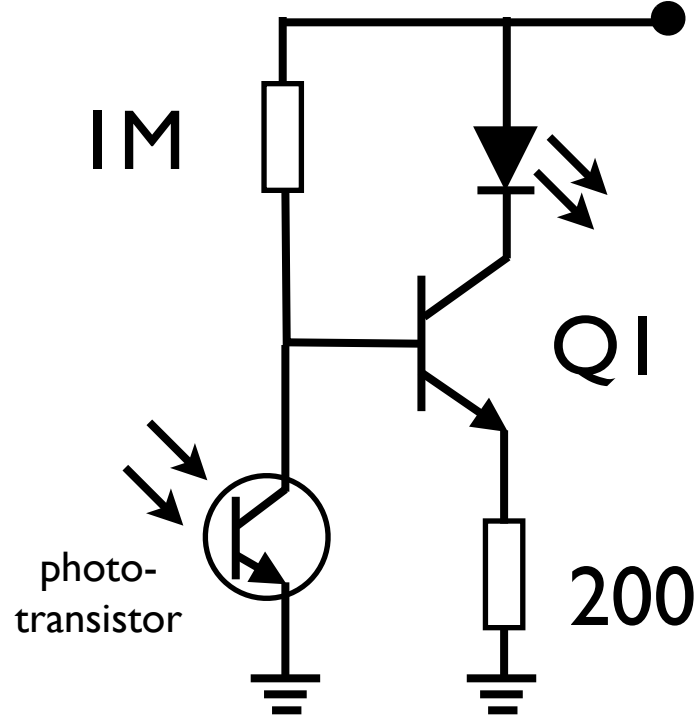


photo-transistor
TIL-406: longer leg = C
TIL-81 top view:

